



INSTALLATION INSTRUCTIONS

PROFIN OY
Tulotie 2
93100 Pudasjärvi
FINLAND

Tel. +358 8 8153 700
Fax +358 8 823 707
e-mail profin@profin.fi

Alv. rek.
Y-tunnus: 0968 288-0

w w w . p r o f i n . f i

Thank You for choosing high quality Profin windows and doors. The people at our factory use high quality materials to make products for You that are to meet Your requirements for years to come. To ensure the flawless functioning and elegant appearance of the windows and doors, we ask You to note the following installation instructions. Following the installation and maintenance instructions is also a prerequisite for the validity of the guarantee given on the doors and windows surface-treated at the factory.

RECEPTION

When the carrier delivers the product packages, immediately check that the shipment is intact and the contents are correct using the consignment note and the packing list. The packing list is attached on the outside of the product package in a separate pocket. Make sure that the delivery matches your purchase order. If you detect any transport damage, mention it to the driver and record the damages on the consignment note. Any other possible complaints about the delivery should be made to the seller within 7 days of receiving the delivery.

Fittings and materials are packed in 1 or more cardboard box(es) which can be found in the delivery package. Store the boxes carefully. The keys are attached to the lock body with a cable tie. If damage due to transport is observed in the products, ask the driver to record the damages on the consignment note. Report the observed damages also to the seller.

The transport package is intended only for protection during transport, it is not suitable for storage. Take care that the product packages are moved to a properly sheltered location where they are protected from rain and rising damp. Ensure ventilation of the packages. A firm upright position is the correct storage position for the windows and doors. Dampness and wrong storage position can cause the product to become warped and damaged.

Please remember to handle the products with care, so that installation and utilization can be done with ease.

INSTALLATION

By carrying out the installation as carefully as possible you ensure the ease of usability of the windows and doors and at the same time prevent the development of abnormal wear. If you have confidence in your installation skills, the following instructions will contribute to successful installation.

Windows:

Prepare the installation site to facilitate installation work and to ensure safety. Remove all objects that hamper work, cover the floor and have the required tools and materials ready at the site.

Remove the sashes and possible lattices from the frame. Set firm installation wedges at the lower edge of the cut-out. Lift the frame into the cut-out. Use a builder's level to check that the sill is level. Place installation wedges also at the intermediate jamb. Instead of wedges you can use frame screws, which makes height adjustment easier. Depending on the contents of the delivery the screws may be included in the delivery.

When the lower side of the frame is level, the other sides of the frame can be wedged and screwed to the wall structure. If the building in question is a log house the frame is always attached to a buck that has been fixed firmly enough. The buck must always be fixed to the log structure both at the upper and the lower end. Check the cross-measure of the frame

opening by adjusting either the wedges or the fastening screws. Lift the outer sash in place and fit the hinge pins. Check the running clearances. The running clearance can be adjusted laterally by rotating the hinge part of the sash. If you want to adjust the sealing tightness, rotate the hinge part of the frame. When the sash functions correctly, close the window locks and fit the handles.

The inner sash is installed the same way as the outer sash.

Caulk the installation gap between the frame and the wall framework with e.g. mineral, glass or fibre wool. Using urethane foam is not recommended, especially in log buildings, where wall settling can cause uncontrolled ventilation and warping of the window frames.

Fit the window stops, casings and the required trims. A wood ready window has been given a protective treatment at the factory, which provides the required protection during transport and storage pending installation. Ensure appropriate surface treatment right after the window has been installed. Follow the agent manufacturer's instructions.

Doors

Cover the door leaf during construction to avoid staining.

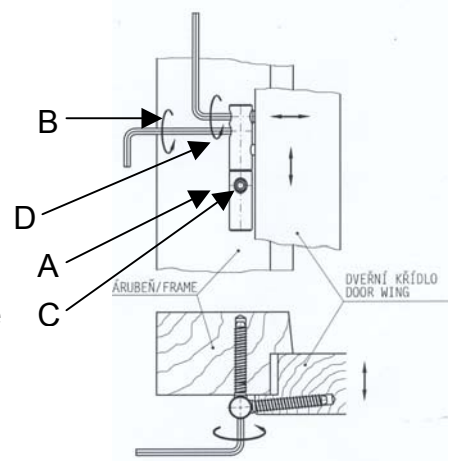
Lift the frame into the cut-out. Fasten the hinge side of the frame with four frame screws to the framework, or in a log house to a well-braced buck, ensure plumbness both laterally and in depth. Ensure e.g. by using wedges that a min. 10 mm caulking margin is left between the side/threshold and the framework.

Wedge the other sides of the frame in place. Fasten the lock side to the framework with four frame screws. Ensure that the sides of the frame have set straight and that the cross measure of the frame is correct.

Lift the door leaf in place and check the running clearances. If the door leaf position requires adjustment, do the following:

Your door has a three-way adjustment hinge. The adjusting wrenches for the hinge are delivered with the door. The hinge functions as follows:

- remove the protecting sleeves on the hinge
- open the door
- open the locking screw (a)
- with adjuster screw (b) you can adjust the running clearance of the door horizontally
- with adjuster screw (c) you can adjust the sealing tightness of the door
- with adjuster screw (d) you can adjust the running clearance of the door vertically
- tighten the locking screw (a)
- close the door
- set the protecting sleeves on the hinge



← C

Caulk the installation gaps with insulation wool.

Fit the casings and required trims. Notice that in log buildings the casings can only be fixed to the frames and the buck - not to the log wall.

A wood ready door has been given a protective treatment at the factory, which provides the required protection during transport and storage pending installation. Ensure appropriate surface treatment right after the door has been installed, pay attention to the surface treatment of the lower edge.

To get a suitable lock case for your door, print the page or take this instruction with you to the hardware shop. In the table below, under your door type, choose the type of installation parts you are going to need for the lock case, if they have not been ordered with the door delivery.

To prevent wind from slamming your door, get a door stopper or a door check.

Enter through your new Profin door. Following the maintenance instructions will ensure that your door will serve you for decades to come.

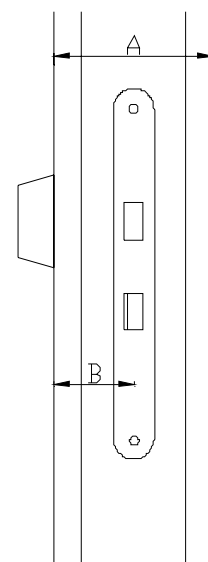
DOOR FITTINGS

Your door has a double bolt lock body (corresponds to the LC200 model in A)

Several different types of fittings can be installed to the lock body.

When purchasing fittings for your door give the seller the A and B measurements of the door

Door type	A/B measurement	Extension piece	Cyl. ring height
UO	83/47	18	11
UO SOFT	86/47	18	11
LUO	80/44	12.5	8
LUO SOFT	80/44	12.5	8
LHK	86/47	18	11
UO inw. open	86/39	8	8
LUO inw. open	80/36	8	11



A= Total thickness of door

B= Distance from the centre of the lock body to the outer surface

